

质的保证 心的承诺
成为全球切管设备品牌供应商



宁波雷热激光科技有限公司
NINGBO LEIRE LASER TECHNOLOGY CO., LTD

客服电话: 0574-62378867

企业邮箱: leire@laserlr.com

公司网址: www.laserlr.com

公司地址: 浙江省余姚市兰江街道夏巷村张油车96-97号

Customer service number: 0574-62378867

Corporate email: leire@laserlr.com

Company website: www.laserlr.com

Company address: No. 96-97, ZhangYouche, Xiexiang Village,
Lanjiang Street, Yuyao City, Zhejiang Province



微信公众号



官方配件商城

宁波雷热激光科技有限公司
NINGBO LEIRE LASER TECHNOLOGY CO., LTD



把握

战略

每一次机会

让我们拒绝诱惑

我们坚信企业发展

不再盲目追随别人走过的路

永远依赖于远见

找到真正的自己

果断和勇气

雷热激光 我们一直在路上...

grasp

strategy

Every chance

Let's resist temptation

We firmly believe in enterprise development

No longer blindly follow the path of others

Always rely on foresight

Find who you really are

Decisiveness and courage

We've been on our way...

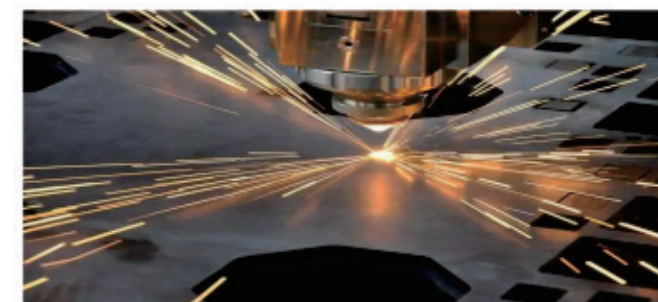
COMPANY PROFILE

阔步前行!

雷热激光, 好产品

攻艰克难 只为切管

STRIDE FORWARD!
THUNDER HEAT LASER, GOOD PRODUCT



宁波雷热激光科技有限公司, 公司创立于2018年, 现坐落于中国东南沿海重要的港口城市、长江三角洲南翼经济中心——浙江省宁波市, 是一家集设计、制造、销售于一体的专业从事金属管材类切割设备的创新型企业。

雷热激光的经营理念是为客户提供更智能、更便捷的金属管材切割设备, 可以根据客户需求提供更有效的整套解决方案, 帮助客户节省成本以及提高产能, 主营产品包括: 全自动激光切管机、圆管专用激光切管机、圆管三维激光切管机、异型管三维激光切管机、半自动激光下料机、手动激光下料机、激光焊接机以及整套的激光管切和焊接方案, 产品广泛运用于汽配行业、卫浴行业、新能源汽车行业、五金加工行业、运动器材、自行车、电动车、护栏、家具、空调等行业。

雷热激光自成立以来, 始终专注于管材加工领域, 坚持以“成为全球切管设备品牌供应商!”为企业愿景, 以“诚信友善、以人为本、客户至上”为企业核心价值观, 以“智造改变未来”为企业使命, 用产品和技术赢得市场认可!

Ningbo LEIRE Laser Technology Co., LTD., founded in 2018, is located in Ningbo City, Zhejiang Province, an important port city along the southeast coast of China and the economic center of the south wing of the Yangtze River Delta. It is an innovative enterprise specialized in metal pipe cutting equipment, integrating design, manufacturing and sales.

The business philosophy of Lei Re Laser is to provide customers with more intelligent and convenient metal pipe cutting equipment, according to customer needs to provide a more effective set of solutions to help customers save costs and improve production capacity, the main products include: Automatic laser pipe cutting machine, special round pipe laser pipe cutting machine, round pipe three-dimensional laser pipe cutting machine, special-shaped pipe three-dimensional laser pipe cutting machine, semi-automatic laser cutting machine, manual laser cutting machine, laser welding machine and a complete set of laser pipe cutting and welding programs. Products are widely used in auto parts industry, bathroom industry, new energy automobile industry, hardware processing industry, sports equipment, bicycles, electric vehicles, guardrail, furniture, air conditioning and other industries.

Since its establishment, Lei Re Laser has always focused on the field of pipe processing, insisting on "to become a global brand supplier of pipe cutting equipment!" As the enterprise vision, "integrity and friendly, people-oriented, customer first" as the core values of the enterprise, to "intelligent change the future" as the enterprise mission, with products and technology to win market recognition!

企业愿景：成为全球切管设备品牌供应商！

企业核心价值观：诚信友善、以人为本、客户至上

企业使命：智造改变未来！

Enterprise vision: to become a global brand supplier of pipe cutting equipment!

Enterprise core values: integrity, friendly, people-oriented, customer first

Enterprise mission: intelligent creation to change the future!



**走好今日创业路，办好明天发展事。
走创业之路，谋发展大计，谱辉煌篇章！**

Walk well today's entrepreneurial road, do well tomorrow's development.
Take the road of entrepreneurship, seek development plan, spectrum brilliant chapter!

一个卓越的企业，必然具备优秀的企业文化，雷热面向新世纪塑造了一支团结开拓、求实创新的员工队伍，服务于行业，造福于社会。

An excellent enterprise, must have excellent corporate culture, thunder heat for new Century has shaped a united development, realistic and innovative staff, service Industry, to the benefit of society.

CORPORATE CULTURE

Leire Laser 企业文化



企业文化是一种动力

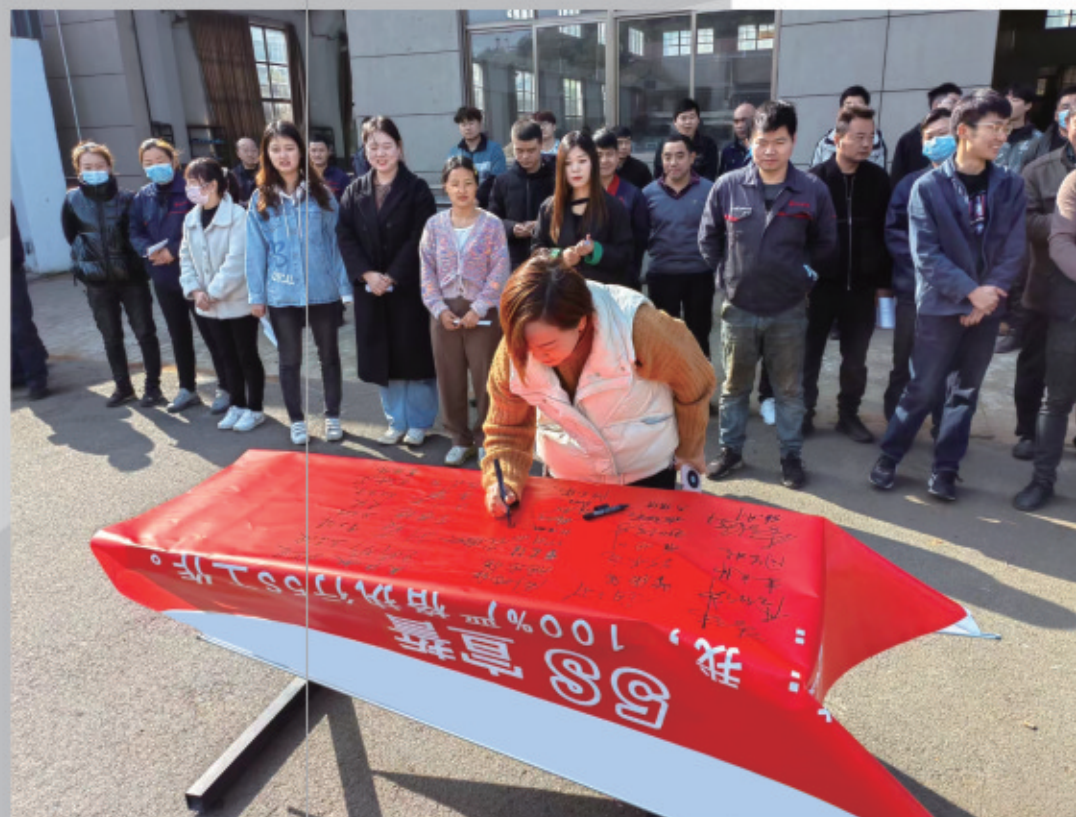
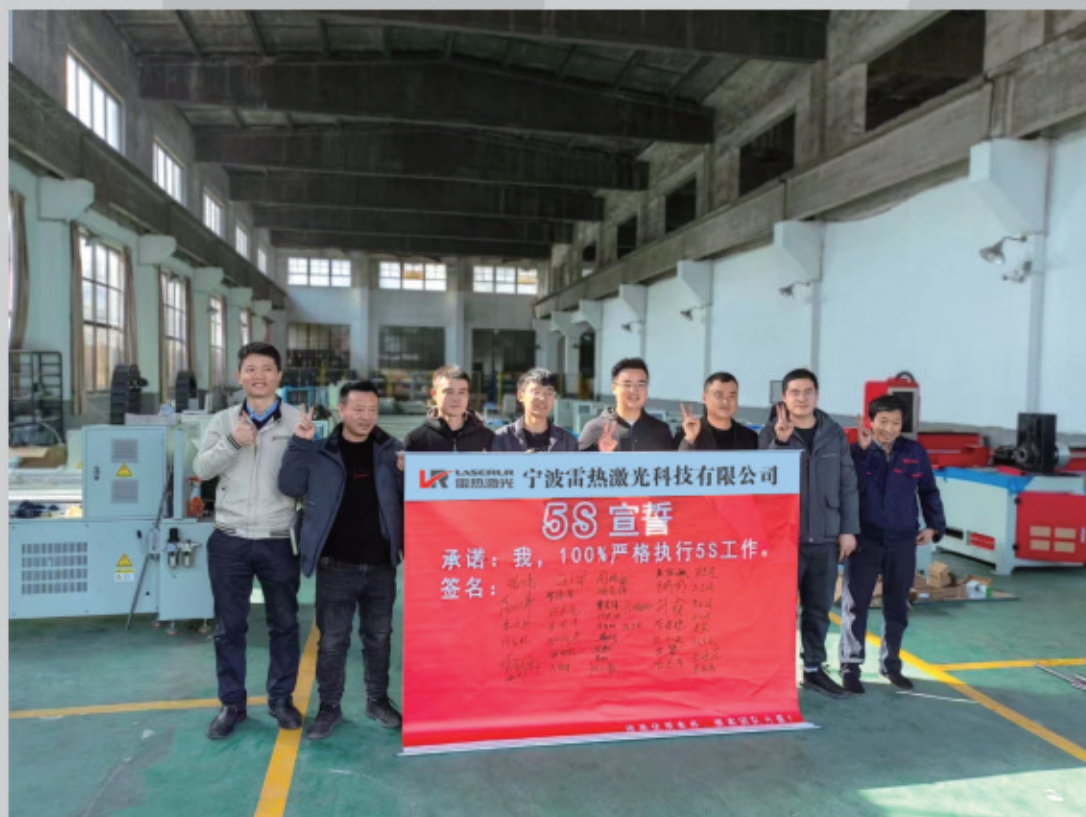
ENTERPRISE CULTURE IS A ENERGY

企业经营的好坏，企业文化建设起到了举足轻重的作用，雷热公司在经营实践过程中，逐渐形成了独具魅力的企业文化体系。

弘扬企业文化，增强企业的凝聚力，员工的劳动创造了企业的财富。公司充分重视员工精神生活的需要，经常组织多种文体活动，开展文化学习竞赛，极大地丰富了员工的业余生活，充分调动了工作积极性，使员工与企业共同成长！

The construction of enterprise culture plays a decisive role in the quality of enterprise management. In the process of operation practice, the company has gradually formed a unique charming enterprise culture system.

Carry forward the enterprise culture, enhance the cohesion of the enterprise, the labor of the employees creates the wealth of the enterprise. The company pays full attention to the needs of employees' spiritual life, often organizes a variety of cultural and sports activities, carry out cultural learning competitions, greatly enrich the employees' spare time life, fully mobilize the enthusiasm for work, so that the employees and the enterprise thrive together!



我们的核心 Our core

质量——形象的基础；科技——腾飞的关键
管理——永恒的主题；创新——发展的源泉。
靠员工管理企业，靠科技提高素质，
靠质量赢得市场，靠创新促进发展。

Our core

Quality -- the basis of image; Science and technology - the key to take-off
Management - the eternal theme; Innovation -- the source of development.
Relying on employees to manage the enterprise, relying on science and technology to improve quality,
Win the market by quality and promote development by innovation.

LEIRE 雷热



目录

CONTENTS

- | | |
|---------------------------------------|---------------------------------------|
| 1 公司介绍
Company introduction | 4 系列产品
Series products |
| 2 办公一角
Office corner | 5 行业应用
Industry application |
| 3 企业文化
Corporate culture | 6 展望未来
Look into the future |

系列产品 Series products

LR-L1	1
半自动三维激光切管机 Semi-automatic three-dimensional laser pipe cutting machine	
LR-S1	3
全自动三维激光切管机 Automatic three-dimensional laser pipe cutting machine	
LR-FB40	5
半自动激光切管机 Semi-automatic laser pipe cutter	
LR-FC40	7
手动激光切管机 Manual laser pipe cutter	
LR-FA40	9
全自动激光切管机 Automatic laser pipe cutting machine	
LR-GA80	11
全自动激光切管机 (重型) Automatic laser pipe cutting machine (heavy duty)	
LR-GA70	13
全自动激光切管机 Automatic laser pipe cutting machine	

SEMI-AUTOMATIC THREE-DIMENSIONAL
LASER PIPE CUTTING MACHINE

半自动三维激光切管机

LR-L1



半自动三维激光切管机技术参数

Technical parameter

切割管材长度 Cut pipe length	无限长度(Infinite length)
切割管材直径 Cut pipe diameter	ø8-ø80
尾料 Tail material	≤50MM
X轴行程 X-axis stroke	±50MM
Y轴行程 Y-axis stroke	0-850MM
Z轴行程 Z-axis stroke	0-100MM
切割精度 Cutting accuracy	±0.05MM
位置精度 Position accuracy	±0.2MM (管材本身精度±0.1MM以内)
拉料精度 Drawing accuracy	±0.1MM (单次Single time)
割缝宽度 Slit width	0.15MM左右(Left and right)
重复定位精度 Repeated positioning accuracy	±0.03MM
最大加速度 Maximum acceleration	1.5G
拉料方式 Drawing method	气动夹紧, 伺服拉料 Pneumatic clamping, servo pulling material
控制系统 Control system	嘉强/维宏 Jiaqiang/Weihong
显示屏尺寸(分辨率) Display Size (resolution)	21寸 (1920*1080) 21 inch (1920*1080)
额定电压 Rated voltage	380V
额定功率 Rated power	4500W (不包括激光器, 冷水机) (Excluding laser, water cooler)
切管类型 Type of pipe cutting	圆管、方管、椭圆管 Round tube, square tube, oval tube
切管材质 Pipe cutting material	不锈钢、碳钢、铝材、铜、铁 Stainless steel, carbon steel, aluminum, copper, iron

*所有技术参数以最新技术方案为准
All technical parameters are subject to the latest technical scheme

AUTOMATIC THREE-DIMENSIONAL LASER
PIPE CUTTING MACHINE

全自动三维激光切管机

LR-S1

全自动三维激光切管机技术参数
Technical parameter

切割管材长度	Cut pipe length	无限长度	Infinite length
切割管材直径	Cut pipe diameter	∅15-∅80	
尾料	Tail material	≤50MM	
X轴行程	X-axis stroke	±50MM	
Y轴行程	Y-axis stroke	0-850MM	
Z轴行程	Z-axis stroke	0-100MM	
切割精度	Cutting accuracy	±0.05MM	
位置精度	Position accuracy	±0.2MM (管材本身精度±0.1MM以内)	
拉料精度	Drawing accuracy	±0.1MM (单次 Single time)	
割缝宽度	Slit width	0.15MM左右	Around 0.15MM
重复定位精度	Repeated positioning accuracy	±0.03MM	
最大加速度	Maximum acceleration	1.5G	
控制系统	Control system	嘉强/维宏	Jiaqiang/Weihong

显示器尺寸	Display size	21寸 (1920*1080)
拉料方式	Drawing method	气动夹紧, 伺服拉料 Pneumatic clamping, servo pulling material
额定电压	Rated voltage	380V 50Hz
额定功率	Rated power	4500W (不包括激光器, 冷水机) 4500W (excluding laser, water cooler)
切管类型	Type of pipe cutting	圆管、方管、椭圆管 Round tube, square tube, oval tube
切管材质	Pipe cutting material	不锈钢、碳钢、铝材、铜、铁 Stainless steel, carbon steel, aluminum, copper, iron

全自动料架参数

上料方式	Feeding mode	拉带提升式 pull-and-lift
存料重量	Stock weight	1.5T
适用管型	Suitable tube type	圆管、方管、矩形管 Round tube, square tube, rectangular tube
适用管材泛范围	Suitable for pipe wide range	∅15-∅80
额定电压	Rated voltage	380V 50Hz
控制系统	Control system	PLC

 *所有技术参数以最新技术方案为准
All technical parameters are subject to the latest technical scheme

SEMI-AUTOMATIC LASER PIPE CUTTER
半自动激光切管机

LR-FB40

半自动激光切管机技术参数
Technical parameter

切割管材长度 Cut pipe length	300/500/1000MM (可定制) customizable
切割管材直径 Cut pipe diameter	ø8-ø40 (可定制) customizable
管材长度范围 Pipe length range	≤6000MM
切割精度 Cutting accuracy	±0.1MM
重复定位精度 Repeated positioning accuracy	0.03MM
触摸屏 Touch screen	7寸 inch
切管类型 Type of pipe cutting	圆管 Round tube
切管材质 Pipe cutting material	不锈钢、碳钢、铝材、铜、铁 Stainless steel, carbon steel, aluminum, copper, iron
夹紧方式 Clamping mode	气动卡盘 Pneumatic chuck
控制方式 Control mode	PLC+伺服系统 PLC+ servo system
激光器功率 Laser power	1000W (可定制) 1000W (customizable)
上料方式 Feeding mode	手动上料/自动送料 Manual feeding/automatic feeding

*所有技术参数以最新技术方案为准
All technical parameters are subject to the latest technical scheme



MANUAL LASER PIPE CUTTER
手动激光切管机

LR-FC40



手动激光切管机技术参数
Technical parameter

切割管材长度 Cut pipe length	300/500/1000MM (可定制) customizable
切割管材直径 Cut pipe diameter	ø8-ø40 (可定制) customizable
管材长度范围 Pipe length range	≤6000MM
切割精度 Cutting accuracy	±0.1MM
重复定位精度 Repeated positioning accuracy	0.03MM
触摸屏 Touch screen	7寸 inch
切管类型 Type of pipe cutting	圆管 Round tube
切管材质 Pipe cutting material	不锈钢、碳钢、铝材、铜、铁 Stainless steel, carbon steel, aluminum, copper, iron
夹紧方式 Clamping mode	气动卡盘 Pneumatic chuck
控制方式 Control mode	PLC+伺服系统 PLC+ servo system
激光器功率 Laser power	1000W (可定制) 1000W (customizable)
上料方式 Feeding mode	手动上料/自动送料 Manual feeding/automatic feeding

*所有技术参数以最新技术方案为准
All technical parameters are subject to the latest technical scheme

AUTOMATIC LASER PIPE CUTTING MACHINE

全自动激光切管机

LR-FA40



全自动激光切管机技术参数
Technical parameter

切割管材长度 Cut pipe length	300/500/1000MM (可定制) customizable
切割管材直径 Cut pipe diameter	ø8-ø40 (可定制) customizable
管材长度范围 Pipe length range	≤6000MM
切割精度 Cutting accuracy	±0.1MM
重复定位精度 Repeated positioning accuracy	0.03MM
触摸屏 Touch screen	7寸 inch
切管类型 Type of pipe cutting	圆管 Round tube
切管材质 Pipe cutting material	不锈钢、碳钢、铝材、铜、铁 Stainless steel, carbon steel, aluminum, copper, iron
夹紧方式 Clamping mode	气动卡盘 Pneumatic chuck
控制方式 Control mode	PLC+伺服系统 PLC+ servo system
激光器功率 Laser power	1000W (可定制) 1000W (customizable)
上料方式 Feeding mode	手动上料/自动送料 Manual feeding/automatic feeding
料架类型 Rack type	排列式上料架 Arrayed feeding rack

*所有技术参数以最新技术方案为准
All technical parameters are subject to the latest technical scheme

AUTOMATIC LASER PIPE CUTTING MACHINE

全自动激光切管机

LR-GA80 (重型)



全自动激光切管机技术参数
Technical parameter

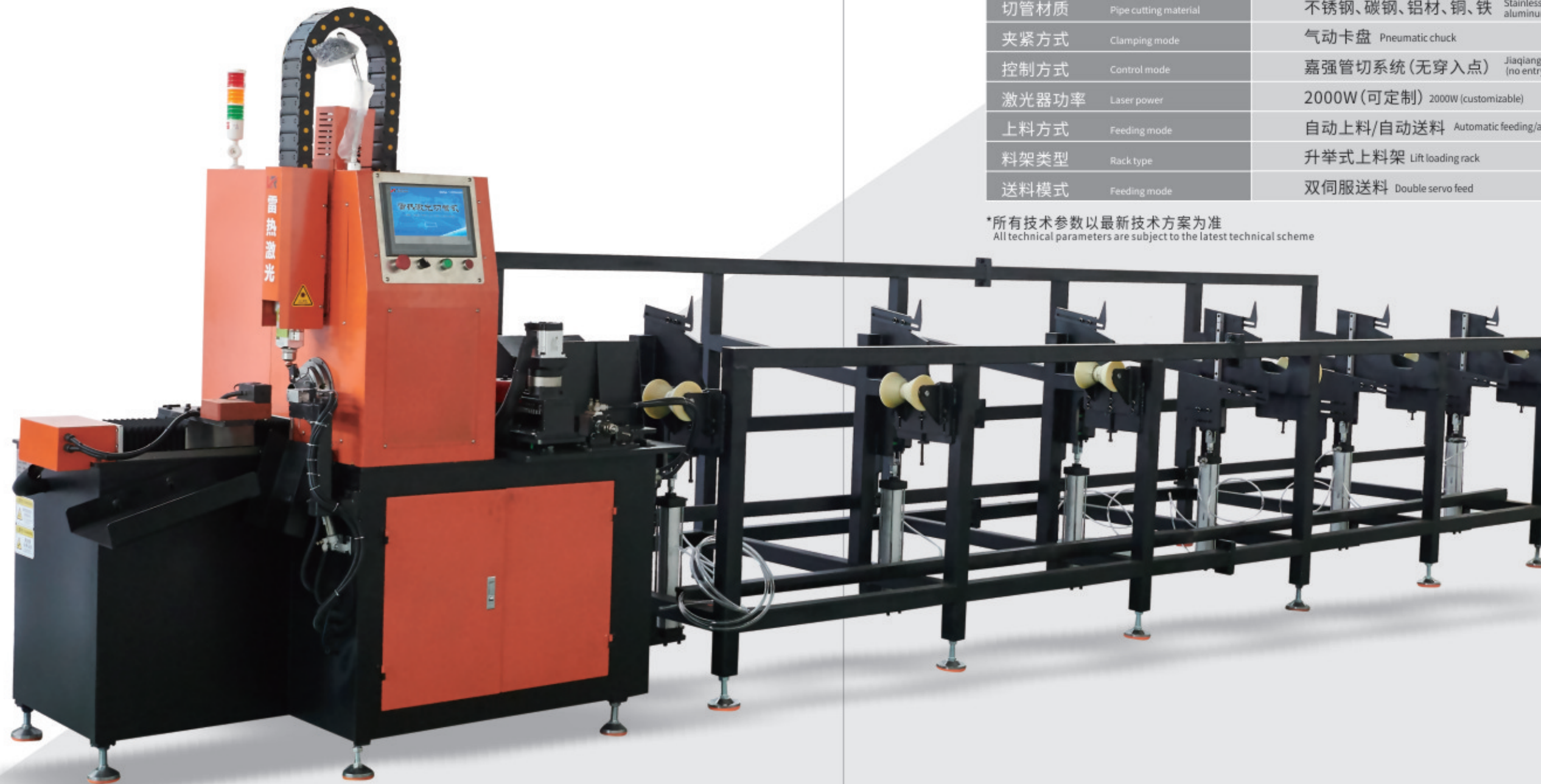
切割管材长度 Cut pipe length	≤1000MM (可定制) customizable
切割管材直径 Cut pipe diameter	∅15-∅80 (可定制) customizable
管材长度范围 Pipe length range	≤6000MM
切割精度 Cutting accuracy	±0.1MM
重复定位精度 Repeated positioning accuracy	0.03MM
触摸屏 Touch screen	7寸 inch
切管类型 Type of pipe cutting	圆管 Round tube
切管材质 Pipe cutting material	不锈钢、碳钢、铝材、铜、铁 Stainless steel, carbon steel, aluminum, copper, iron
夹紧方式 Clamping mode	气动卡盘 Pneumatic chuck
控制方式 Control mode	PLC+伺服系统 PLC+ servo system
激光器功率 Laser power	2000W (可定制) 2000W (customizable)
上料方式 Feeding mode	手动上料/自动送料 Manual feeding/automatic feeding
料架类型 Rack type	升降式上料架 Lift loading rack

*所有技术参数以最新技术方案为准
All technical parameters are subject to the latest technical scheme

AUTOMATIC LASER PIPE CUTTING MACHINE

全自动激光切管机

LR-GA70



全自动激光切管机技术参数
Technical parameter

切割管材长度 Cut pipe length	≤200MM (可定制) customizable
切割管材直径 Cut pipe diameter	∅12-∅70 (可定制) customizable
管材长度范围 Pipe length range	≤6000MM
切割精度 Cutting accuracy	±0.1MM
重复定位精度 Repeated positioning accuracy	0.03MM
触摸屏 Touch screen	10寸 inch
切管类型 Type of pipe cutting	圆管 Round tube
切管材质 Pipe cutting material	不锈钢、碳钢、铝材、铜、铁 Stainless steel, carbon steel, aluminum, copper, iron
夹紧方式 Clamping mode	气动卡盘 Pneumatic chuck
控制方式 Control mode	嘉强管切系统(无穿入点) Jiaqiang pipe cutting system (no entry point)
激光器功率 Laser power	2000W (可定制) 2000W (customizable)
上料方式 Feeding mode	自动上料/自动送料 Automatic feeding/automatic feeding
料架类型 Rack type	升降式上料架 Lift loading rack
送料模式 Feeding mode	双伺服送料 Double servo feed

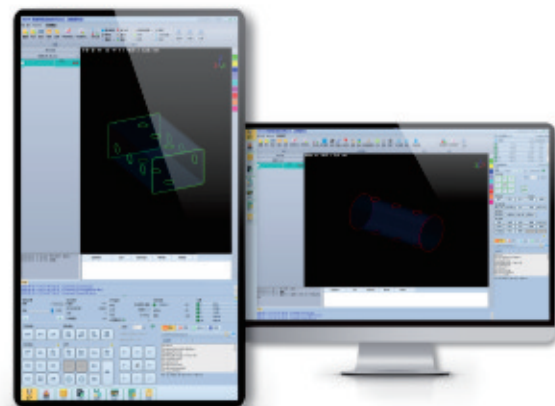
*所有技术参数以最新技术方案为准
All technical parameters are subject to the latest technical scheme

JIAQIANG LASER TUBE CUTTING SYSTEM 嘉强激光管切系统

系统简介 System introduction

XC系列激光管切系统是针对管材加工应用开发的运动控制系统。型号包括XC4000 P、XC4000 T2、XC4000C1、XC4000 C2、XC4000 E等，适用于单裁管、复合裁管、标准两卡等机型，操作简单、加工效率高。

XC series laser tube cutting system is a motion control system developed for pipe processing applications. Models include XC4000 P, XC4000 T2, XC4000C1, XC4000 C2, XC4000 E, etc., suitable for single cut pipe, compound cut pipe, standard two card and other models, simple operation, high processing efficiency.



应用领域 Application field



体育器材
Sports equipment



建筑
architecture

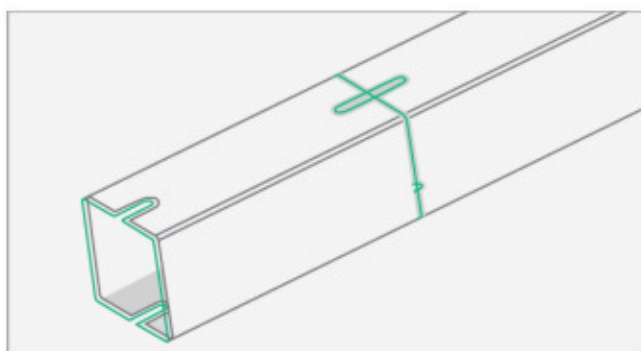


金属家具
Metal furniture



装饰品
ornament

功能特点 Functional characteristics



孤岛共边 Isolated island common edge

支持孤岛共边，提升材料利用率，同时支持零件加补偿后孤岛共边，最终孤岛共边结果保留补偿。

Support island common edge, improve material utilization, and support parts plus After compensation island common edge, the final island common edge results retain compensation.



加工样件
Processing sample

JIAQIANG LASER CUTTING HEAD 嘉强激光切割头

高性价比

1500W及以下功率的经济型激光切割设备的首选

High cost performance

The first choice for economical laser cutting equipment with power of 1500W and below

高适配性

具备QBH和QCS等多款光纤接口，可与各种主流激光器进行适配

High compatibility

With QBH, QCS and other fiber interfaces, can be adapted to various mainstream lasers

技术参数 Technical parameter

功率等级Power Rating	1500W
透光孔径Clear Aperture	21mm
辅助气体气压Assisted/auxiliary Gas	20bar
重量Weight	2.5kg

喷嘴孔口径Diameter of Nozzle Tip	1.2mm, 1.5mm, 2.0mm, 2.5mm
-----------------------------	----------------------------

设计优异

优化的光学配置和平滑高效的气流设计，显著提高切割质量及效率

Excellent design

Optimized optical configuration and smooth and efficient airflow design significantly improve cutting quality and efficiency

结构精巧

重量轻，体积小，降低了机床负载要求，提高了切割速度及质量

Exquisite structure

Light weight, compact size, reduce the machine load requirements, improve the cutting speed and quality



雷热服务
REGGE SERVICE

用户至上，服务第一
Customer first, service first

30⁺

专业服务团队
Professional service team

24^h

售后24h快速解决
After sale 24h quick solution

2000⁺

累计服务客户
Cumulative service customers

1 售前服务
Pre-sale service

为意向客户免费提供各种生产工艺方案，包括技术咨询、样品切割、设备选型，并按客户要求定制并做相应调整；

Provide all kinds of production process solutions to prospective customers free of charge, including technical consultation, sample cutting, equipment selection, and customized according to customer requirements and make corresponding adjustments;

2 安装测试
Installation test

在按期向客户交付设备的同时，派技术服务工程师现场安装。在用户安装调试条件具备的情况下，技术服务工程师将在3-5个工作日内将设备有序的安装调试完毕供客户使用

Send technical service engineers to install the equipment on site while delivering the equipment to customers on schedule. When the installation and debugging conditions are met, the technical service engineer will orderly install and debug the equipment for the customer to use within 3-5 working days

3 技术培训
Technical training

免费提供技术培训在用户现场安装调试完毕之后，培训用户方的操作、维修人员1-2名。培训内容包括激光原理、设备构造、工艺说明、设备保养、激光安全防护、操作程序及简单故障排除。

Provide free technical training after the user site installation and debugging is completed, the user side of the training of operation, maintenance personnel 1-2. Training content includes laser principle, equipment construction, process description, equipment maintenance, laser safety protection, operating procedures and simple elimination.

4 设备维护
Equipment maintenance

为用户提供全方位的售后服务工作。24小时报修系统及售后服务电话，并不定期为客户提供线上或现场机离问题排查检修。

To provide users with a full range of after-sales service. 24-hour repair system and after-sales service telephone, do not regularly provide customers with online or on-site off-site troubleshooting and repair problems.



行业应用

INDUSTRY APPLICATION



凝心聚力 展望未来

—勇于挑战自我 挑战命运 要有不服输的精神—

凝心聚力再出发 砥砺前行新征程

Concentrate on starting again and forge ahead on a new journey

精诚所至
金石为开

雷热人一直在路上……

